

- LEGEND**
- FG FIXED GLASS GLAZING TO CODE REQUIREMENTS
 - CW CASEMENT SASH GLAZING TO CODE REQUIREMENTS
 - AW AWNING SASH GLAZING TO CODE REQUIREMENTS
 - SD SLIDING DOOR GLAZING TO CODE REQUIREMENTS
 - SSD SLIDING STACKER DOOR GLAZING TO CODE REQUIREMENTS
 - SW SLIDING WINDOW GLAZING TO CODE REQUIREMENTS

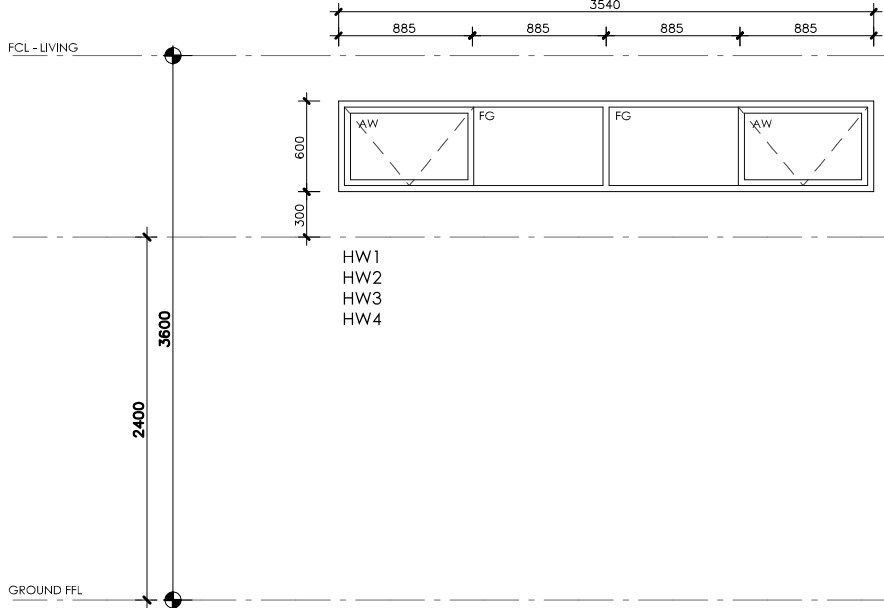
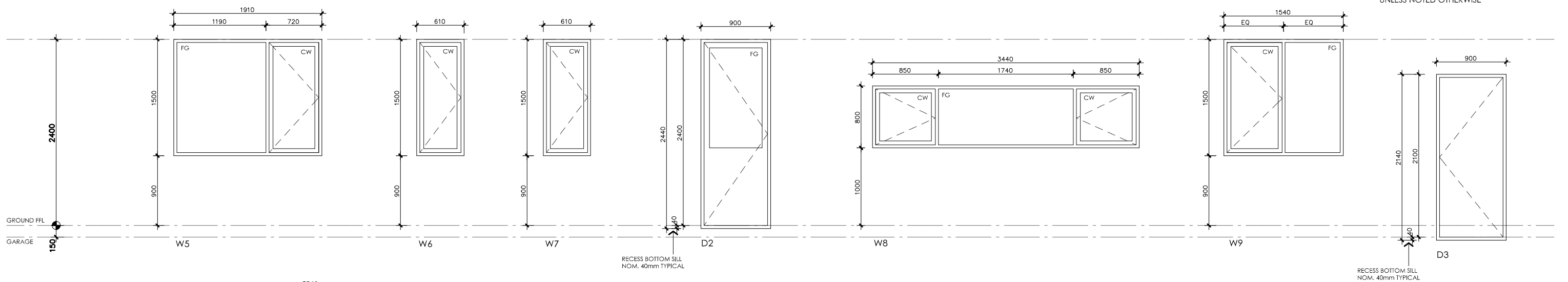
NOTES

ALL FRAMES TO BE COMMERCIAL OR SEMI-COMMERCIAL ALUMINIUM FRAMES, INSTALL TO MANUFACTURERS SPEC. PROVIDE MATCHING FLYSCREENS TO ALL OPENABLE SECTIONS AND COLOR MATCHED ALUMINIUM STORM MOULDS AND TRIMS AS REQUIRED

ALL WINDOWS AND DOORS TO BE DOUBLE GLAZED. NOTE THE NEED FOR TOUGHENED LAMINATED SAFETY GLASS TO CODE REQUIREMENTS WHERE REQUIRED.

ALL GLAZING TO AS 1288 AND BCA REQUIREMENTS. PERFORMANCE VALUES TO MATCH ENERGY RATING

ALL WINDOWS & DOORS VIEWED FROM OUTSIDE UNLESS NOTED OTHERWISE

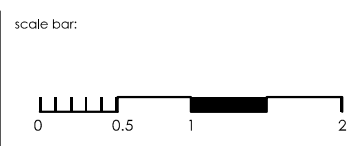


NOTE: FABRICATOR TO CONFIRM WHICH WINDOWS/DOORS REQUIRE LAMINATED SAFETY GLASS AND SPECIFY AND PRICE ACCORDINGLY. ALL GLAZING TO CODE REQUIREMENTS

NOTE: FRAME SECTION WIDTHS DIMENSIONED ARE NOTIONAL ONLY. FABRICATOR TO CONFIRM FRAME SECTION SIZE

NOTE: OVERALL WINDOW DIMENSIONS NOMINAL ONLY - CHECK MEASURE EXISTING OPENING ON SITE PRIOR TO ORDERING

issue	amendment	date



project: DESIGN FOR PLACE



project stage: PRELIMINARY SKETCH PLANS

drawing title: OPTION 1A TYPE 1
WINDOW SCHEDULE SHEET 1

date: 2014
scale: 1:50
sheet: A3
drawing number: 1A401_1

drawn: BW
check: BW
verified: -
issue: -